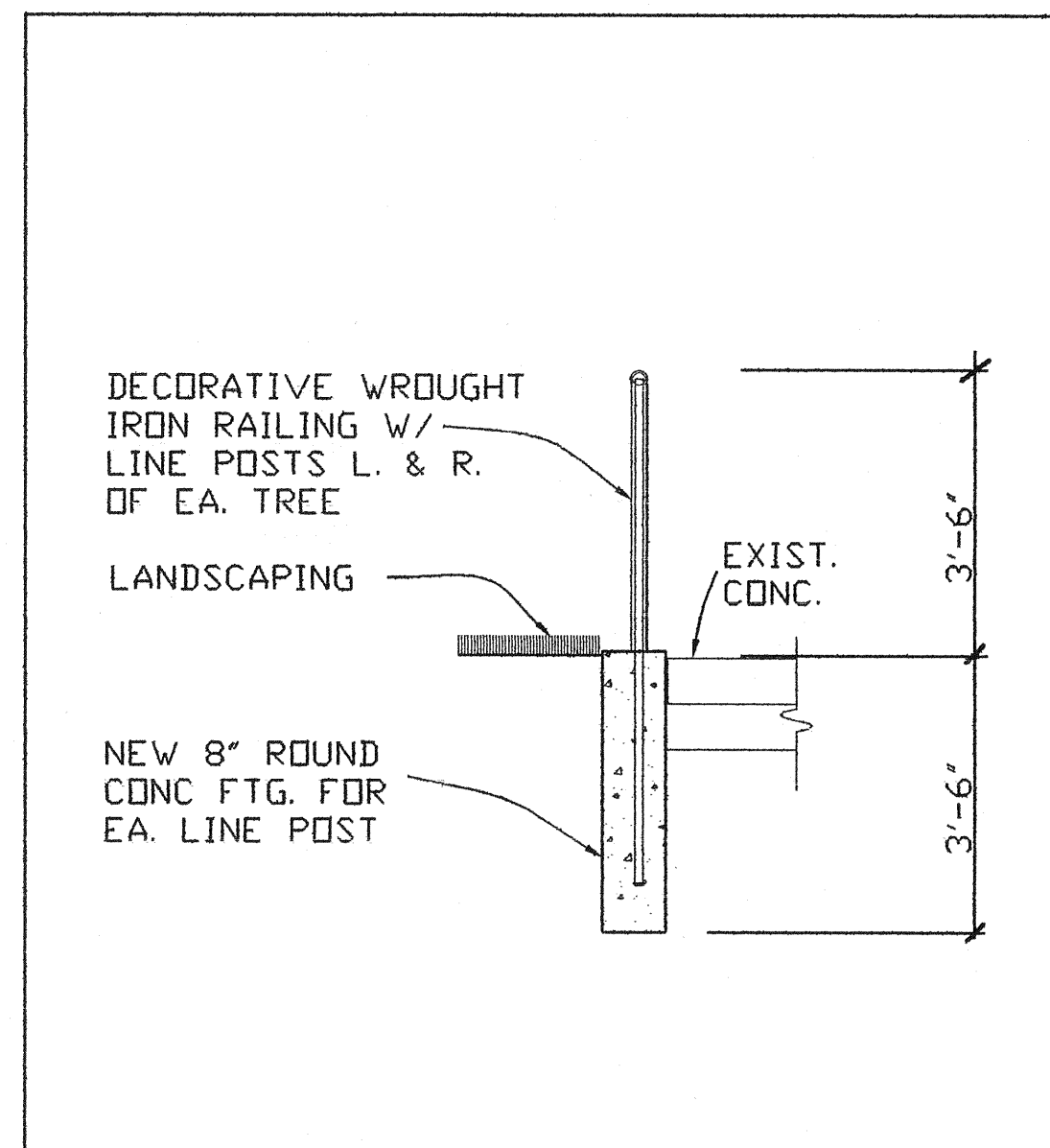
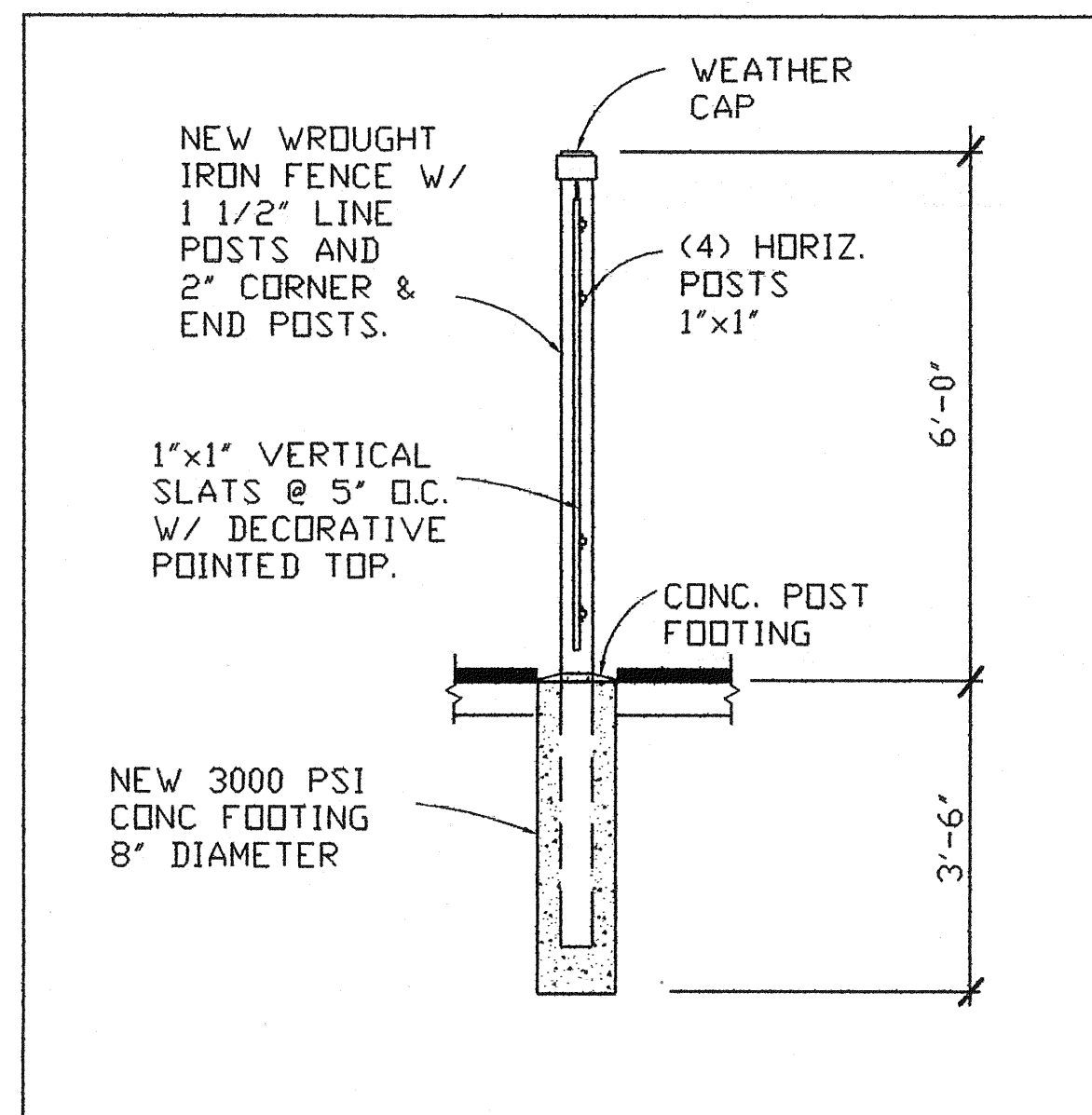


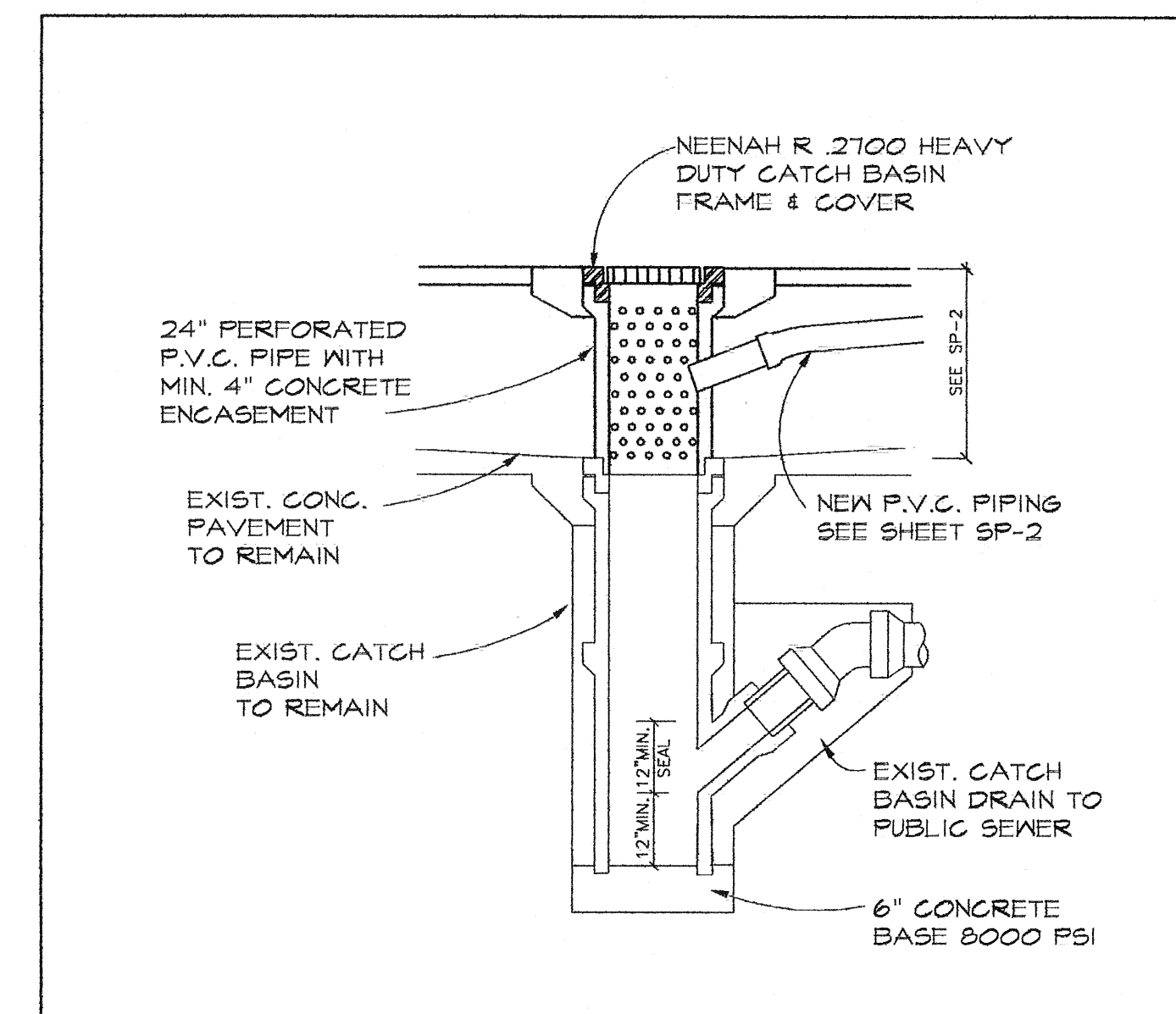
1 SECTION
SP-3 SCALE: 1/2"=1'-0"



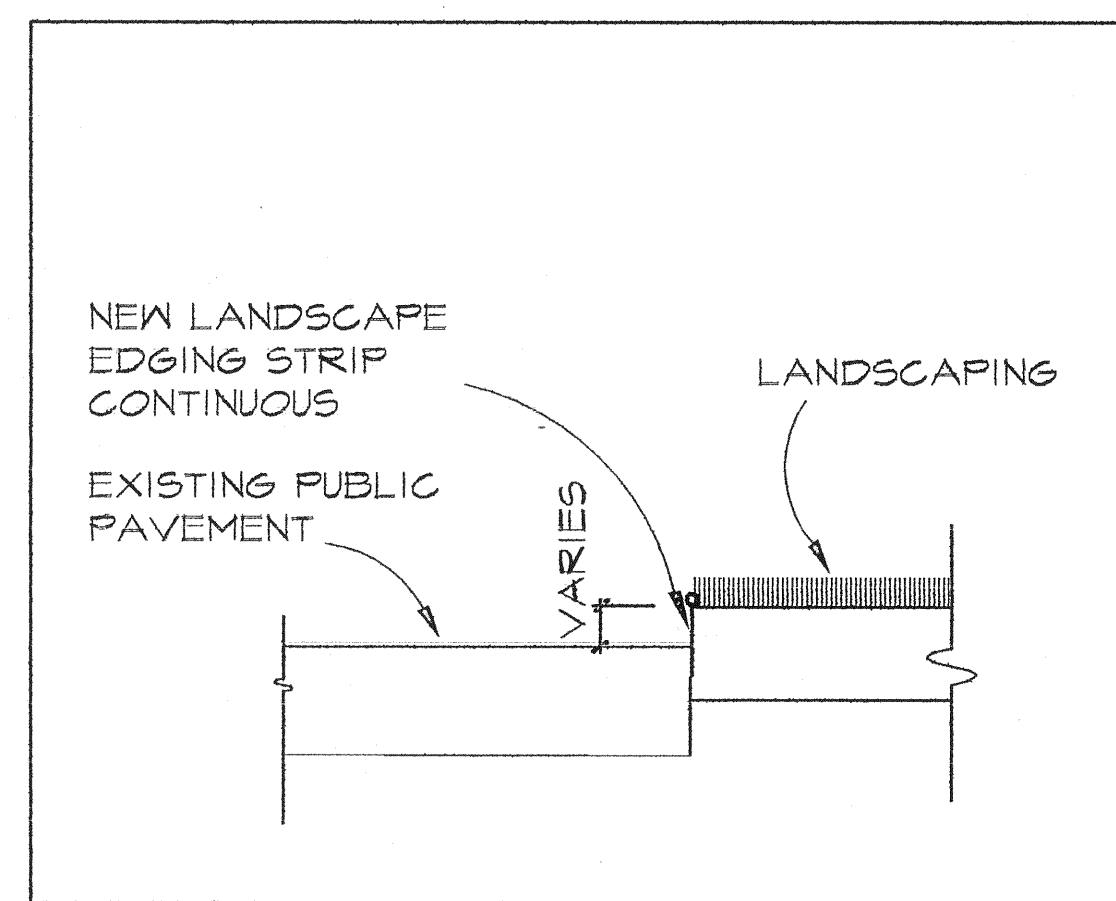
2 SECTION
SP-3 SCALE: 1/2"=1'-0"



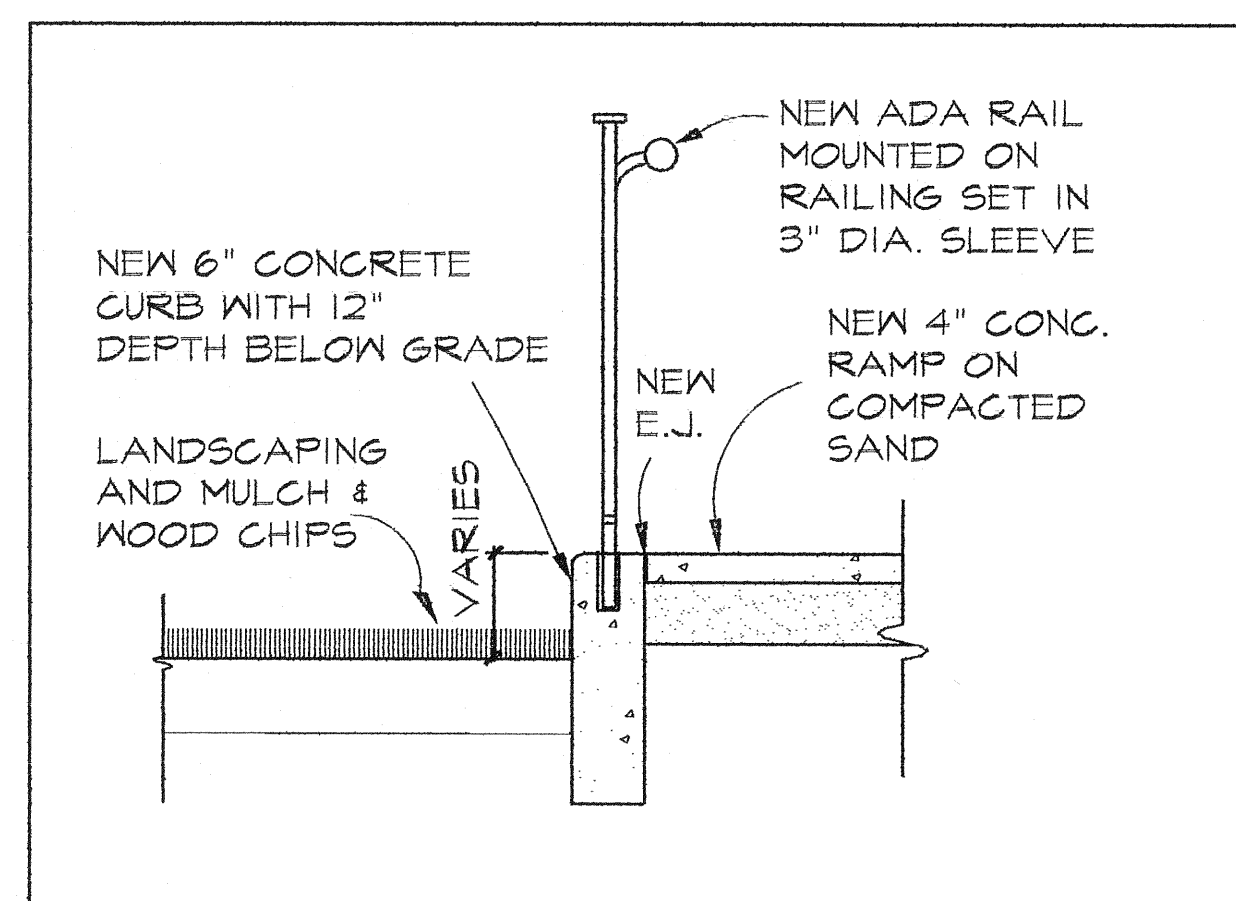
3 SECTION
SP-3 SCALE: 1/2"=1'-0"



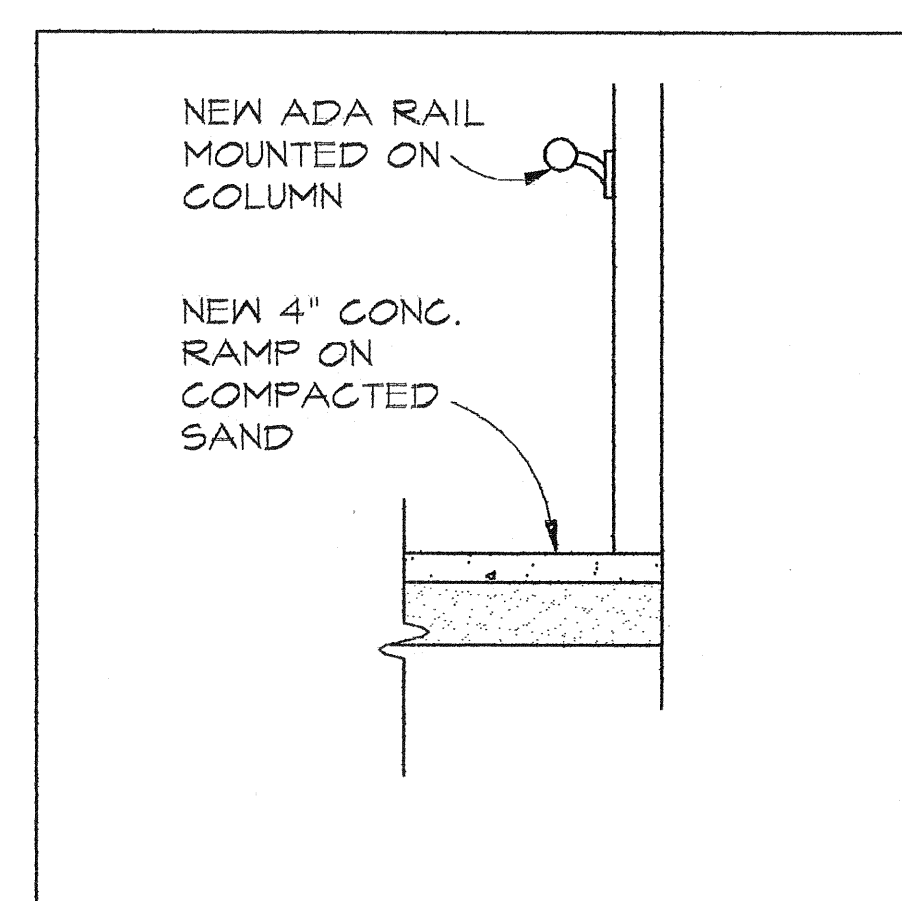
4 SECTION
SP-3 SCALE: N.T.S.



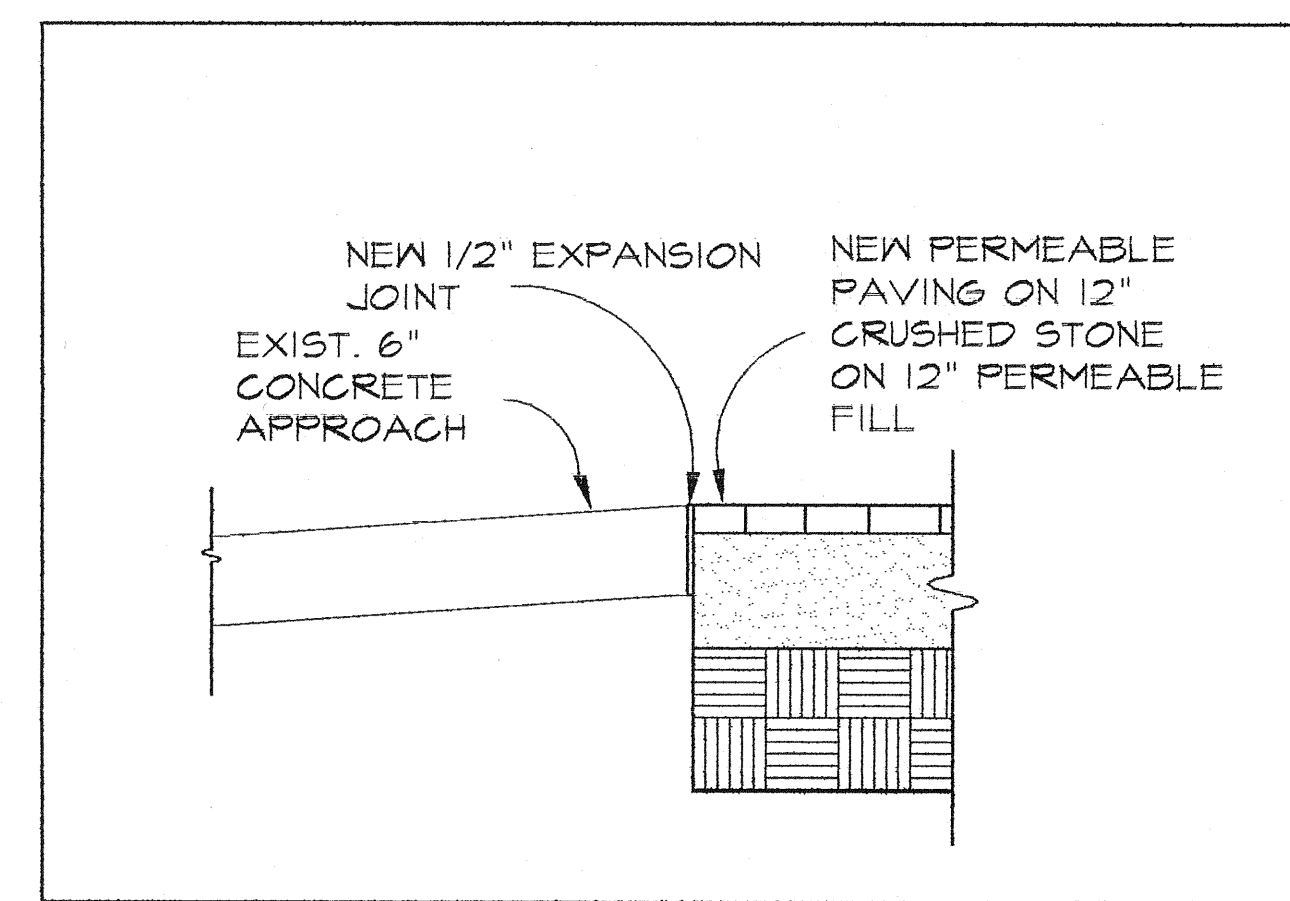
6 SECTION
SP-3 SCALE: 3/4"=1'-0"



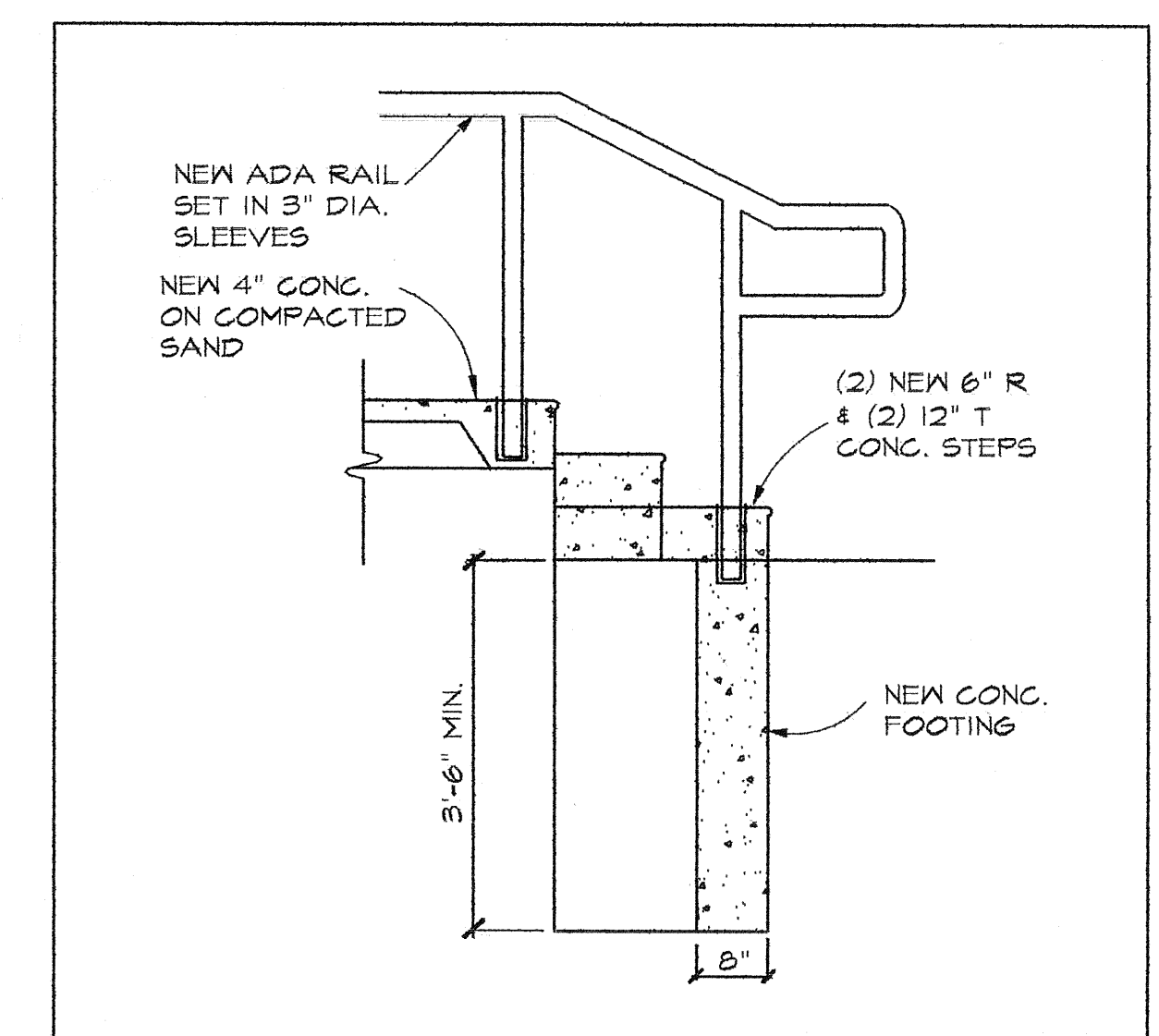
7 SECTION
SP-3 SCALE: 3/4"=1'-0"



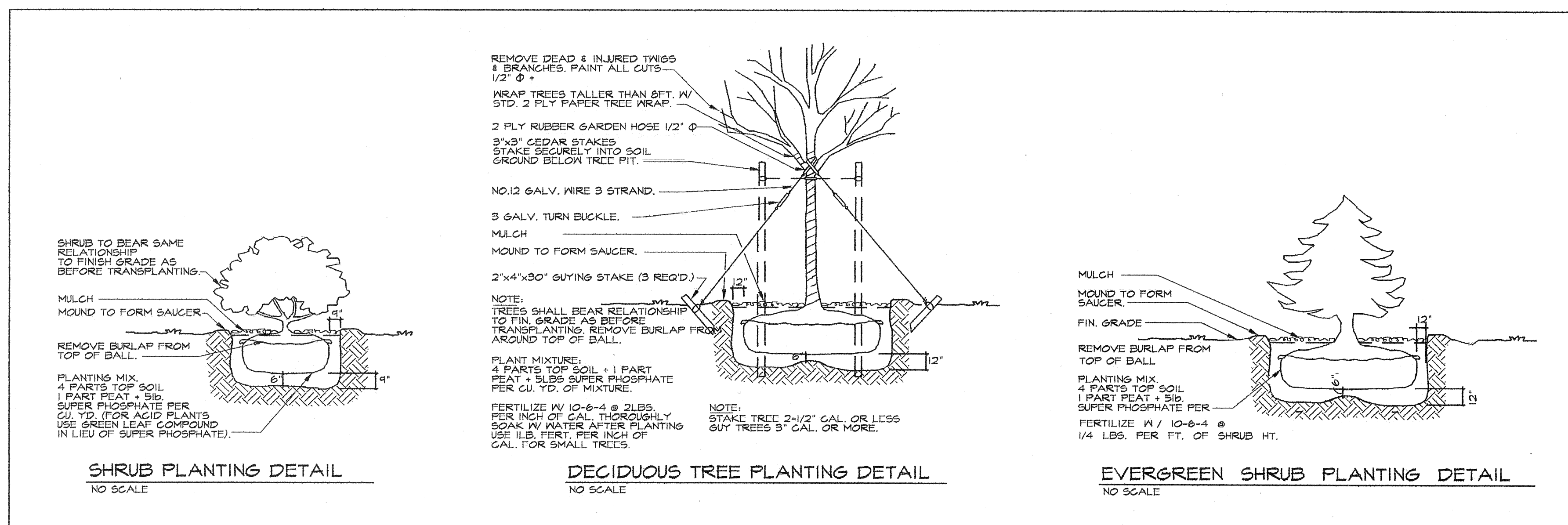
8 SECTION
SP-3 SCALE: 3/4"=1'-0"



9 SECTION
SP-3 SCALE: 3/4"=1'-0"



10 SECTION
SP-3 SCALE: 1/2"=1'-0"



11 SECTION
SP-3 SCALE: 1"=10'-0"

12 SECTION
SP-3 SCALE: 1"=10'-0"

13 SECTION
SP-3 SCALE: 1"=10'-0"

8-17-09	FOR PERMIT				
7-27-09	OWNFR REVIEW		DATE	BY	BULLETIN
	DATE	ISSUE FOR			REVISIONS
GREEN GARAGE RENOVATION 4444 SECOND AVENUE DETROIT, MI 48201					
Architects Planners Engineers INTERNATIONAL INC. 17400 Wildemere Detroit, Michigan 48221 Phone: 313-341-7830 Fax: 313-341-6944					
DESIGNED	TLB	CHECKED	TLB	PROJECT NO.	0923
DRAWN	TLB	DATE	7-27-09	SHEET NO.	SP-3
APPROVED	TLB				
SITE DETAILS					