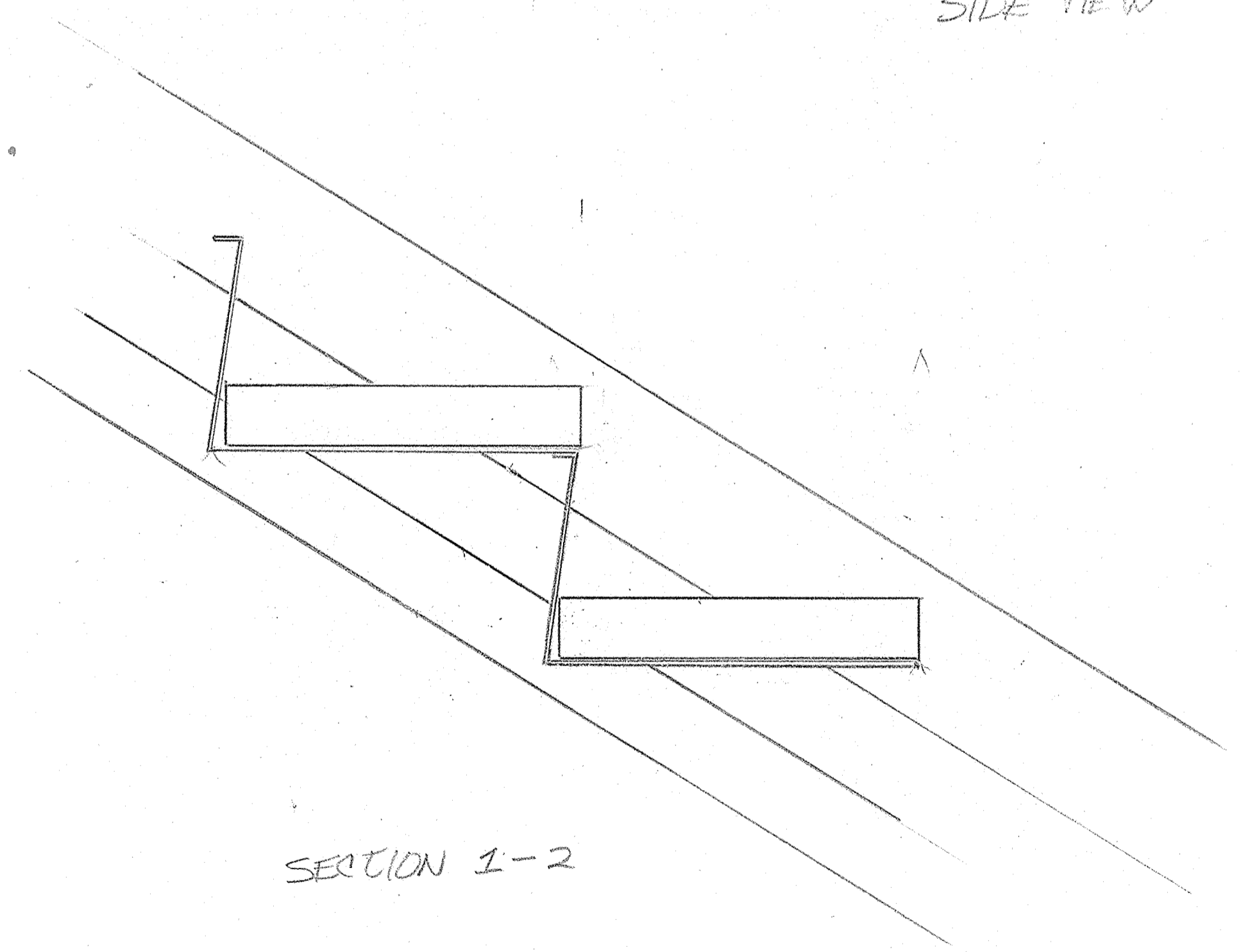
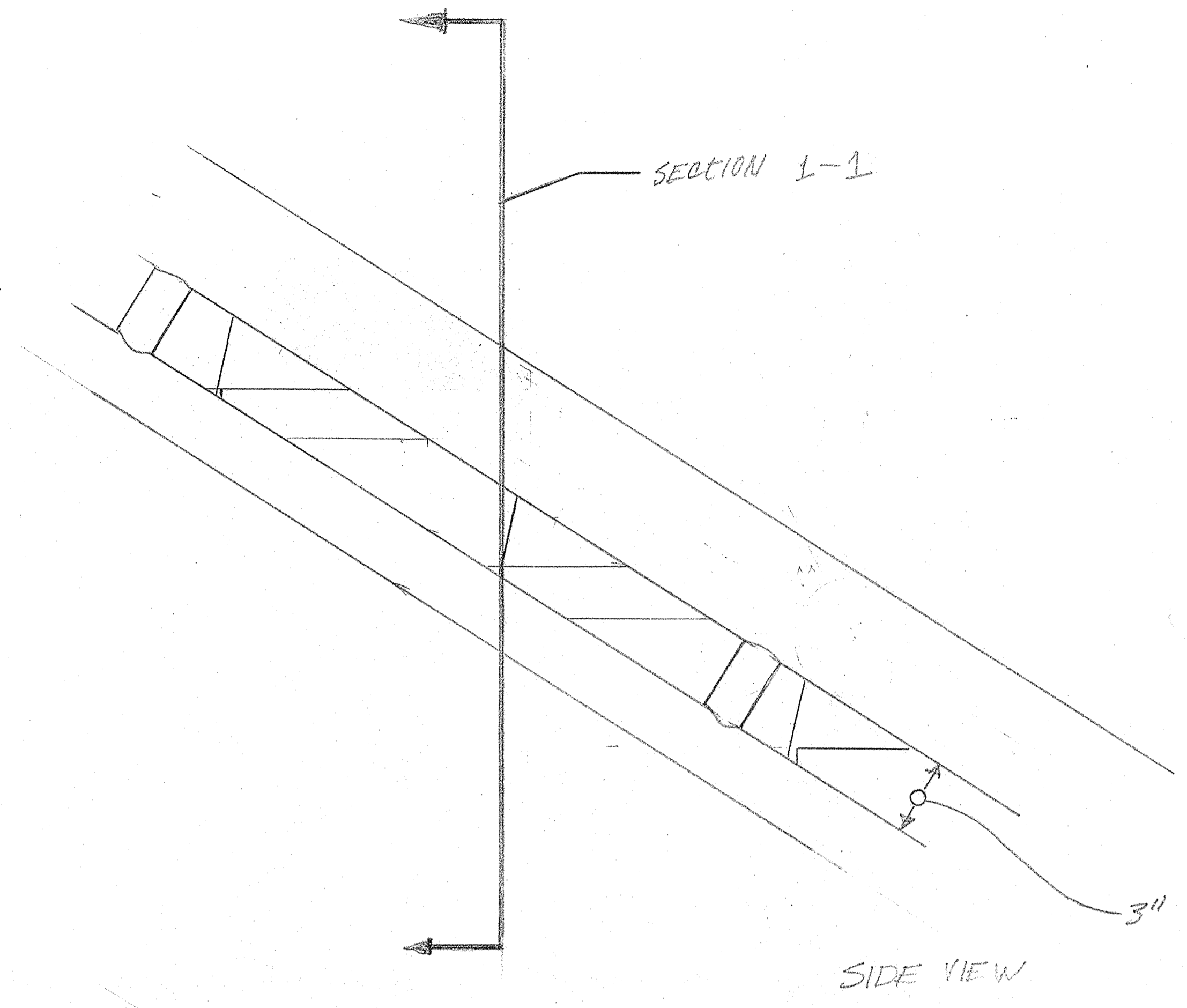
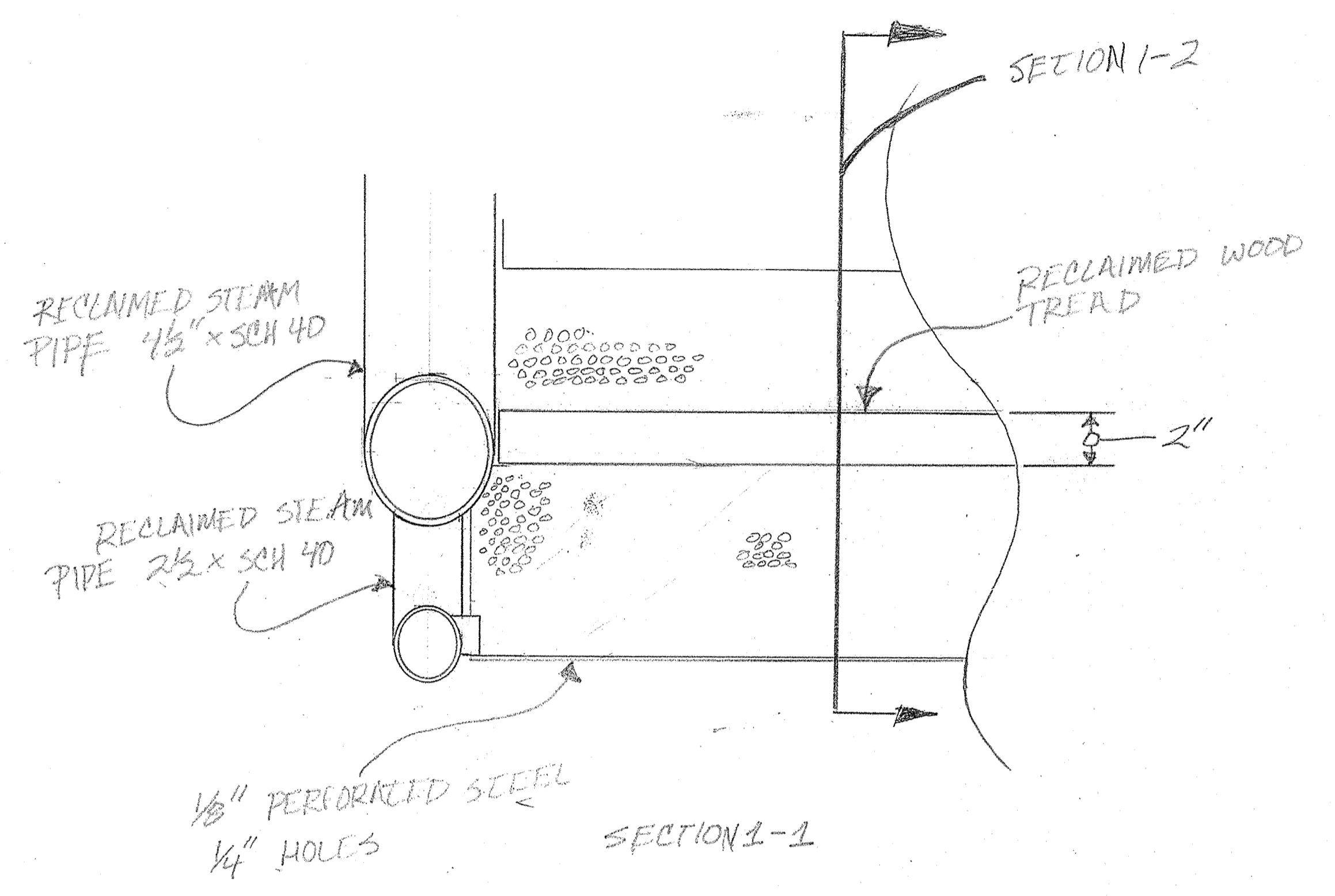


9200M106



GREEN GARAGE  
ENGINEERING FOR  
STAIRS

Bill W

5-1-10