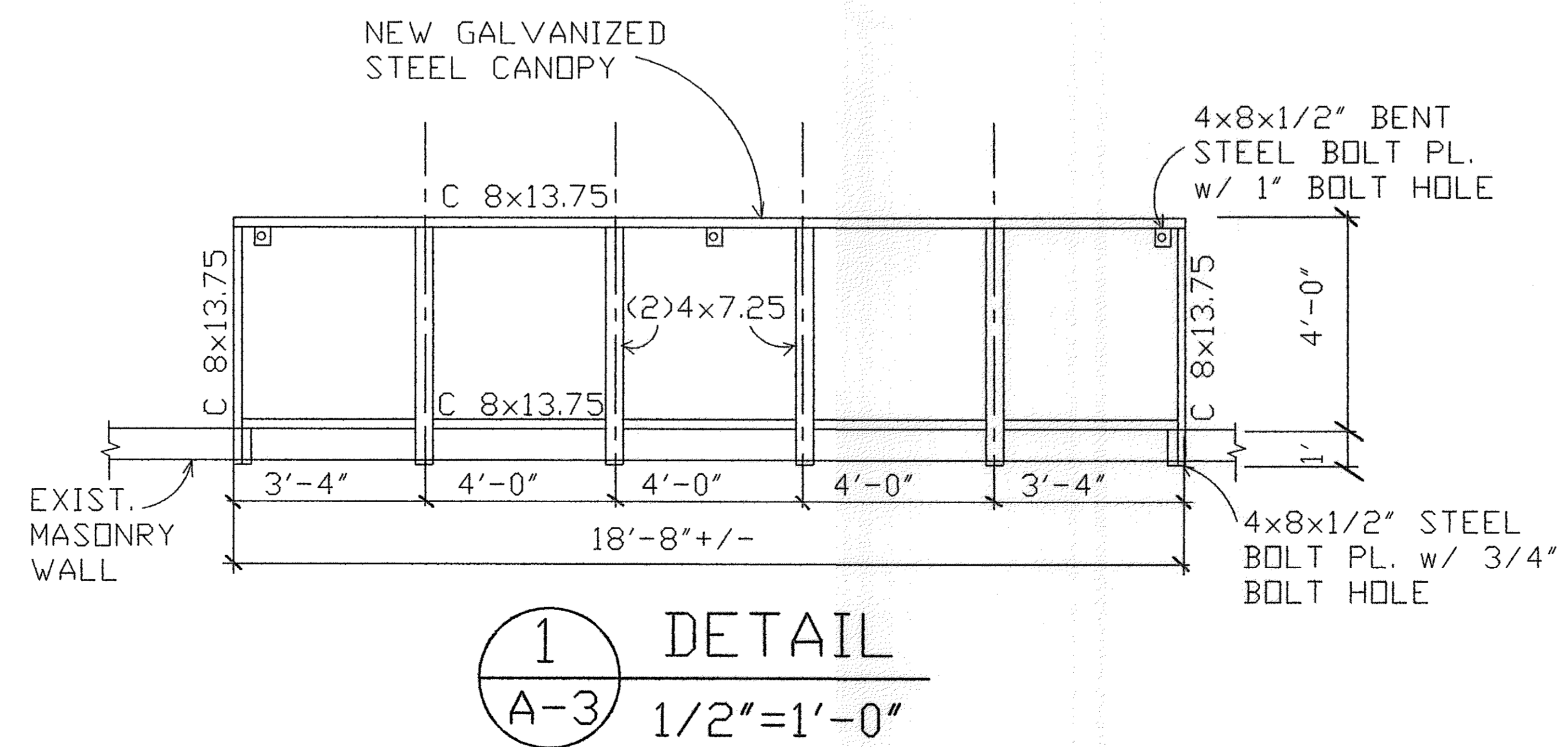


SPECIALITY SCHEDULE

SYMBOL	DESCRIPTION	QUANT.
①	LAVATORIES	3
②	WATERLESS URINAL	1
③	SSTL. GRAB BARS	2 SETS
④	SSTL. NAPKIN DISPOSAL UNIT.	2
⑤	SSTL. SURFACE MOUNTED TOILET TISSUE DISPENSER	3
⑥	STAINLESS STL. FRAMELESS MIRROR UNIT 24"x36"	3
⑦	SSTL. SURFACE MOUNTED LIQUID SOAP DISPENSER	2
⑧	FLOOR MOUNTED WATER CLOSET W/ LOW WATER TANK	3
⑨	A.D.A. FOLDING SHOWER SEAT	1
⑩	A.D.A. CABO 4.25.4 FAUCET, 60" AND HAND SPRAY UNIT	1
⑪	SSTL. SHOWER GRAB BAR SET	1



9-27-09	REVISED PER CITY			
9-17-09	FOR PERMIT			
7-27-09	OWNER REVIEW	DATE	BY	BULLETIN
DATE	ISSUE FOR			REVISIONS

GREEN GARAGE RENOVATION
4444 SECOND AVENUE
DETROIT, MI 48210

Architects Planners Engineers
ARCHITECTS INTERNATIONAL INC.
17400 Wildemere
Detroit, Michigan 48221
Phone: 313-341-7990
Fax: 313-341-6944

DESIGNED	TLB	CHECKED	TLB	PROJECT NO.
DRAWN	TLB	DATE	7-27-09	0923
APPROVED	TLB			
SHEET TITLE				SHEET NO.