

3 1/2" x 3" x 1/2"
TO EXISTING WOOD HEADER
IN EACH STRINGER.

4" SCH 40 PIPE TYP

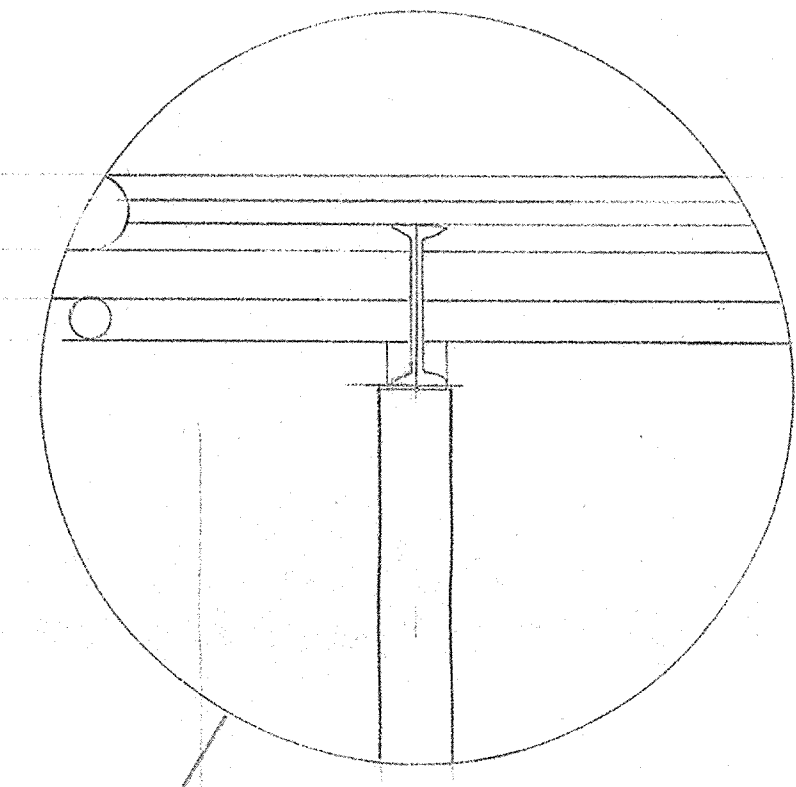
2" SCH 40 PIPE TYP

SEC
1A

2 COLUMNS CENTERED
UNDER DECK. 4" SCH 40
PIPE

4 1/2" x 4" HAMMER SET
ANCHORS IN EACH COLUMN

2 1/2" x 4" HAMMER SET
ANCHORS IN EACH STRINGER



SEC
1A

DETAIL OF COLUMN ATTACHMENT.
2 PIECES OF 10" x 10.6 CHANNEL
BACK TO BACK COPED AND WELDED
TO SCH 40 PIPE

dormouse
BILLY WEST
515-608-1968
GREN BAENCE
STAIR ELEVATION

Handwritten signature
5/11/10