

ROOM FINISH SCHEDULE

ROOM NUMBER	ROOM NAME	FLOOR	WALLS												CEILING	REMARKS		
			BASE		NORTH		EAST		SOUTH		WEST		MATERIAL	FIN			TYPE	HGT.
			MAT'L	FIN	MAT'L	FIN	MAT'L	FIN	MAT'L	FIN	MAT'L	FIN						
101	VESTIBULE	WOOD	WD.	STN.	GLASS	F.F.	GYP. BD.	PT.	GLASS	F.F.	GYP. BD.	PT.	WOOD	PT.	12'-0"			
102	RECEPTION	WOOD	WD.	STN.	GYP. BD.	PT.	GYP. BD.	PT.	GLASS	F.F.	GYP. BD.	PT.	EX. PLASTER	PT.	12'-0"			
103	WAITING	WOOD	WD.	STN.	GYP. BD.	PT.	GYP. BD.	PT.	GYP. BD.	PT.	GYP. BD.	PT.	EX. PLASTER	PT.	12'-0"			
104	FUTURE OFFICE SPACE	WOOD	WD.	STN.					GYP. BD.	PT.	GYP. BD.	PT.	EXPOSED		9'-0"			
105	BREAK ROOM	WOOD	WD.	STN.	GYP. BD.	PT.			GYP. BD.	PT.	GYP. BD.	PT.	GYP. BD.	PT.	9'-0"			
106	3 SEASON ROOM	CONC.	WD.	STN.	GYP. BD.	PT.	GYP. BD.	PT.	GYP. BD.	PT.	GYP. BD.	PT.	GYP. BD.	PT.	9'-0"			
107	COMMONS AREA	WOOD	WD.	STN.	GYP. BD.	PT.	GYP. BD.	PT.	GYP. BD.	PT.	GYP. BD.	PT.	EXPOSED		12'-10"			
108	GREENHOUSE VESTIBULE	WOOD	WD.	STN.	GYP. BD.	PT.	GYP. BD.	PT.	GYP. BD.	PT.	GYP. BD.	PT.	GLASS	PT.	9'-0"			
109	CONFERENCE ROOM	WOOD	WD.	STN.	GYP. BD.	PT.	GYP. BD.	PT.	GYP. BD.	PT.	GYP. BD.	PT.	GYP. BD.	PT.	9'-0"			
110	OFFICE	WOOD	WD.	STN.	GYP. BD.	PT.	GYP. BD.	PT.	GYP. BD.	PT.	GYP. BD.	PT.	GYP. BD.	PT.	9'-0"			
111	OFFICE	WOOD	WD.	STN.	GYP. BD.	PT.	GYP. BD.	PT.	GYP. BD.	PT.	GYP. BD.	PT.	GYP. BD.	PT.	9'-0"			
112	CORRIDOR	WOOD	WD.	STN.	GYP. BD.	PT.	GYP. BD.	PT.	GYP. BD.	PT.	GYP. BD.	PT.	GYP. BD.	PT.	9'-0"			
113	OFFICE	WOOD	WD.	STN.	GYP. BD.	PT.	GYP. BD.	PT.	GYP. BD.	PT.	GYP. BD.	PT.	GYP. BD.	PT.	9'-0"			
114	OFFICE	WOOD	WD.	STN.	GYP. BD.	PT.	GYP. BD.	PT.	GYP. BD.	PT.	GYP. BD.	PT.	GYP. BD.	PT.	9'-0"			
115	WOMEN'S ROOM	CER. TILE	TILE	F.F.	GYP. BD.	PT.	GYP. BD.	PT.	GYP. BD.	PT.	GYP. BD.	PT.	GYP. BD.	PT.	9'-0"			
116	MEN'S ROOM	CER. TILE	TILE	F.F.	GYP. BD.	PT.	GYP. BD.	PT.	GYP. BD.	PT.	GYP. BD.	PT.	GYP. BD.	PT.	8'-0"			
117	CORRIDOR	WOOD	WD.	STN.	GYP. BD.	PT.	GYP. BD.	PT.	GYP. BD.	PT.	GYP. BD.	PT.	GYP. BD.	PT.	9'-0"			
118	SHOWER ROOM	CER. TILE	TILE	F.F.	CER.	F.F.	CER.	F.F.	CER.	F.F.	CER.	F.F.	GYP. BD.	PT.	8'-0"			
119	SHOP VESTIBULE	CONC.	WD.	STN.	GYP. BD.	PT.	GYP. BD.	PT.	GYP. BD.	PT.	GYP. BD.	PT.	EXPOSED	PT.	14'-6"			
120	WORKSHOP STUDIO	CONC.	WD.	STN.	GYP. BD.	PT.	GYP. BD.	PT.	GYP. BD.	PT.	GYP. BD.	PT.	EXPOSED	PT.	14'-6"			
121	MECH. ROOM	CONC.			GYP. BD.	PT.	GYP. BD.	PT.	GYP. BD.	PT.	GYP. BD.	PT.	EXPOSED	PT.	14'-6"			
001	BASEMENT MECH. ROOM	CONC.			BLOCK	PT.	BLOCK	PT.	BLOCK	PT.	BLOCK	PT.	EXPOSED	PT.	8'-0"			
201	MEZZANINE				GYP. BD.	PT.	GYP. BD.	PT.	GYP. BD.	PT.	GYP. BD.	PT.	EXPOSED	PT.	VARIES			

NOTES: CER. TILE=CERAMIC TILE ON GREEN BOARD, F.F.=FACTORY FINISH, WOOD=WOOD PANEL FLOOR SYSTEM ON INSULATED BOARD & SLEEPERS, GYP. BD.=GYPSUM BOARD ON FIRING AND INSULATION SYSTEM, PT.=PAINT FINISH, STN.=STAIN FINISH, BLUE BD.=WATER RESISTANT GYPSUM BOARD, CONC.=CONCRETE FLOOR WITH PAINT FINISH, GLASS=NEW STOREFRONT TYPE INSULATED WINDOWS AND DOOR SYSTEM.

DOOR SCHEDULE

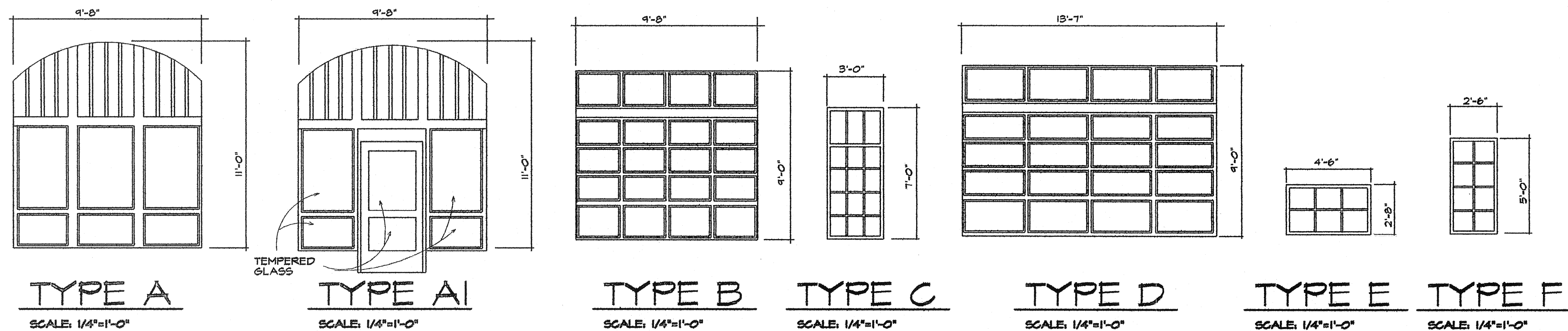
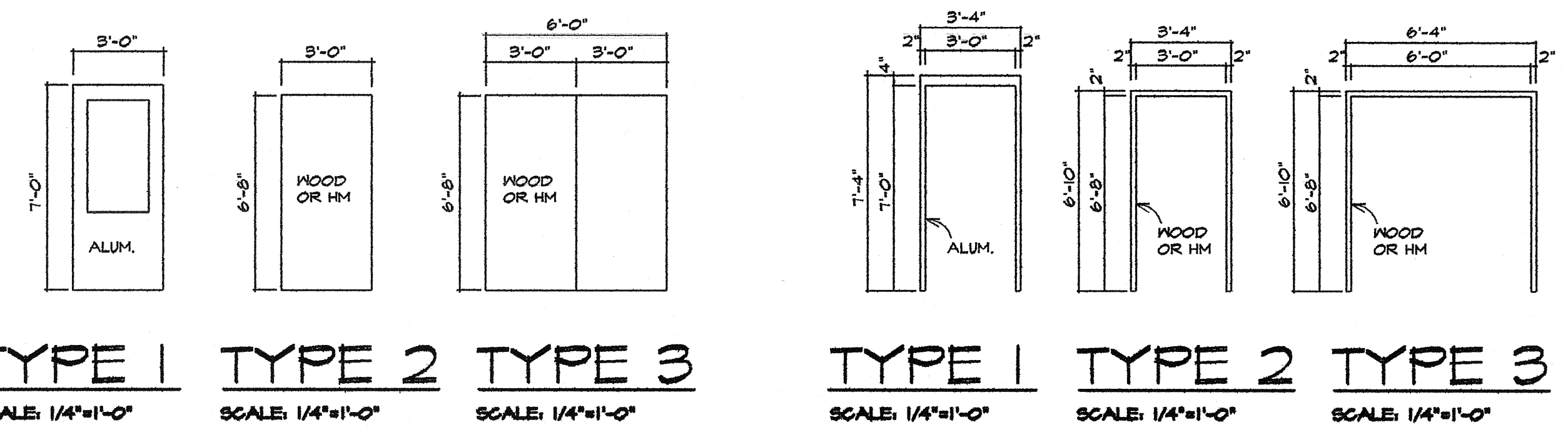
DOOR NUMBER	LOCATION	SIZE	DOOR		FRAME		HDW. SET	REMARKS	
			TYPE	MAT'L	FIN	TYPE			FIN
101	ENTRY	3'-0"x7'-0"	1	ALUM.	F.F.	ALUM.	F.F.	1,2,4,5,6,10	PANIC HARDWARE
102	NDRTH VESTIBULE	3'-0"x6'-8"	1	ALUM.	F.F.	ALUM.	F.F.	1,2,3,4,5,6,10	PANIC HARDWARE
103	SOUTH VESTIBULE	3'-0"x6'-8"	1	ALUM.	F.F.	ALUM.	F.F.	1,2,3,4,5,6,10	PANIC HARDWARE
104	3 SEASON ROOM	(2) 3'-0"x6'-8"	3	WOOD	STN.	WOOD	PAINT	1,2,3,4,6,10	ADA HARDWARE
105	D.H. DOOR	10'-0"x10'-0"	---	WOOD	STN.	WOOD	PAINT	EXIST.	EXIST.
106	WORKSHOP	(2) 3'-0"x7'-0"	3	WOOD	STN.	WOOD	PAINT	1,2,4,6,10	ADA HARDWARE
107	ENTRY WORKSHOP	3'-0"x7'-0"	2	WOOD	STN.	WOOD	PAINT	1,2,4,5,6,10	ADA HARDWARE
108	WORKSHOP	3'-0"x6'-8"	2	WOOD	STN.	WOOD	PAINT	1,2,4,5,6,10	ADA HARDWARE
109	EXIT WORKSHOP	3'-0"x6'-8"	2	WOOD	STN.	WOOD	PAINT	1,2,4,5,6,10	PANIC HARDWARE
110	MECH. ROOM	3'-0"x6'-8"	2	H.M.	PAINT	H.M.	PAINT	1,3,4,8,10	ADA HARDWARE, B LABEL
111	BASEMENT	2'-10"x6'-8"	2 SIM.	H.M.	PAINT	H.M.	PAINT	1,4,8,10	ADA HARDWARE, B LABEL
112	SHOWER ROOM	3'-0"x6'-8"	2	WOOD	STN.	WOOD	PAINT	7,8,10	ADA HARDWARE
113	MEN'S ROOM	3'-0"x6'-8"	2	WOOD	STN.	WOOD	PAINT	1,3,6,10	ADA HARDWARE
114	H.C. TOILET PARTITION	2'-10"x4'-0"	---	ENAML.	ENAML.	ENAML.	ENAML.	7	PARTITION LATCH A.D.A.
115	EXIT	3'-0"x6'-8"	2	H.M.	PAINT	H.M.	PAINT	1,2,4,5,6,10	ADA HARDWARE
116	WOMEN'S TOILET	3'-0"x6'-8"	2	WOOD	STN.	WOOD	PAINT	1,3,6,10	ADA HARDWARE
117	TOILET PARTITION	2'-6"x4'-0"	---	ENAML.	ENAML.	ENAML.	ENAML.	7	PARTITION LATCH
118	H.C. TOILET PARTITION	2'-10"x4'-0"	---	ENAML.	ENAML.	ENAML.	ENAML.	7	PARTITION LATCH A.D.A.
119	OFFICE	3'-0"x6'-8"	2	WOOD	STN.	WOOD	PAINT	3,4,8	ADA HARDWARE
120	OFFICE	3'-0"x6'-8"	2	WOOD	STN.	WOOD	PAINT	3,4,8	ADA HARDWARE
121	OFFICE	3'-0"x6'-8"	2	WOOD	STN.	WOOD	PAINT	3,4,8	ADA HARDWARE
122	OFFICE	3'-0"x6'-8"	2	WOOD	STN.	WOOD	PAINT	3,4,8	ADA HARDWARE
123	CONFERENCE	3'-0"x6'-8"	2	WOOD	STN.	WOOD	PAINT	3,4,8	ADA HARDWARE
124	SOUTH VESTIBULE	3'-0"x6'-8"	1	ALUM.	F.F.	ALUM.	F.F.	1,2,4,5,6,10	PANIC HARDWARE
125	SOUTH EXIT	3'-0"x7'-0"	1	ALUM.	F.F.	ALUM.	F.F.	1,2,3,4,5,6,10	PANIC HARDWARE
126	SHOP INTERIOR DOORS	(2) 3'-0"x6'-8"	3	H.M.	PAINT	H.M.	PAINT	1,4,6,10	ADA HARDWARE, B LABEL
201	FRONT MEZZANINE ROOF	3'-0"x7'-0"	2	H.M.	PAINT	H.M.	PAINT	1,2,4,6,10	ADA HARDWARE

NOTES: F.F.=FACTORY FINISH, PAINT=PAINT FINISH, ALUM.=ALUM. STOREFRONT DOOR, STN.=STAIN AND SEALER, ENAML.=PREFINISHED TOILET PARTITION SYSTEM W/ BAKED ENAMEL FINISH, WOOD=WOOD DOOR OR FRAME

HARDWARE: 1. CLOSER, 2. DOOR SWEEP & WEATHER STRIPPING, 3. DOOR STOPS, 4. CYLINDER LOCK, 5. PANIC HARDWARE, 6. PUSH PLATE & PULL HANDLE, 7. PRIVACY SET, 8. LEVER HANDLE, 9. PASSAGE SET, 10. KICK PLATES

WINDOW SCHEDULE

WINDOW MARK	QUANTITY	SIZE		FRAME	GLAZING	REMARKS
		WIDTH	HEIGHT			
A	3	9'-8"	11'-0"	ALUM. CLAD WOOD	INSULATED GLAZING	ARCH TOP
A1	2	9'-8"	11'-0"	ALUM. CLAD WOOD	INSULATED GLAZING	ARCH TOP W/ CENTER DOOR
B	2	9'-8"	9'-0"	ALUM. CLAD WOOD	INSULATED GLAZING	
C	16	3'-0"	7'-0"	ALUM. CLAD WOOD	INSULATED GLAZING	
D	2	13'-7 1/2"	9'-0"	ALUM. CLAD WOOD	INSULATED GLAZING	
E	5	4'-6"	2'-8"	ALUM. CLAD WOOD	INSULATED GLAZING	
F	7	2'-6"	5'-0"	ALUM. CLAD WOOD	INSULATED GLAZING	



8-17-09 FOR PERMIT
 7-27-09 OWNER REVIEW
 DATE ISSUE FOR DATE BY BULLETIN REVISIONS
 GREEN GARAGE RENOVATION
 4444 SECOND AVENUE
 DETROIT, MI 48210

Architects Planners Engineers
 ARCHITECTS INTERNATIONAL INC.
 17400 Wildanere
 Detroit, Michigan 48221
 Phone: 313-341-7980
 Fax: 313-341-6944

DESIGNED TLB
 DRAWN TLB
 APPROVED TLB
 SHEET TITLE
 CHECKED TLB
 DATE 7-27-09
 PROJECT NO.
 0923
 SHEET NO.
 A-6